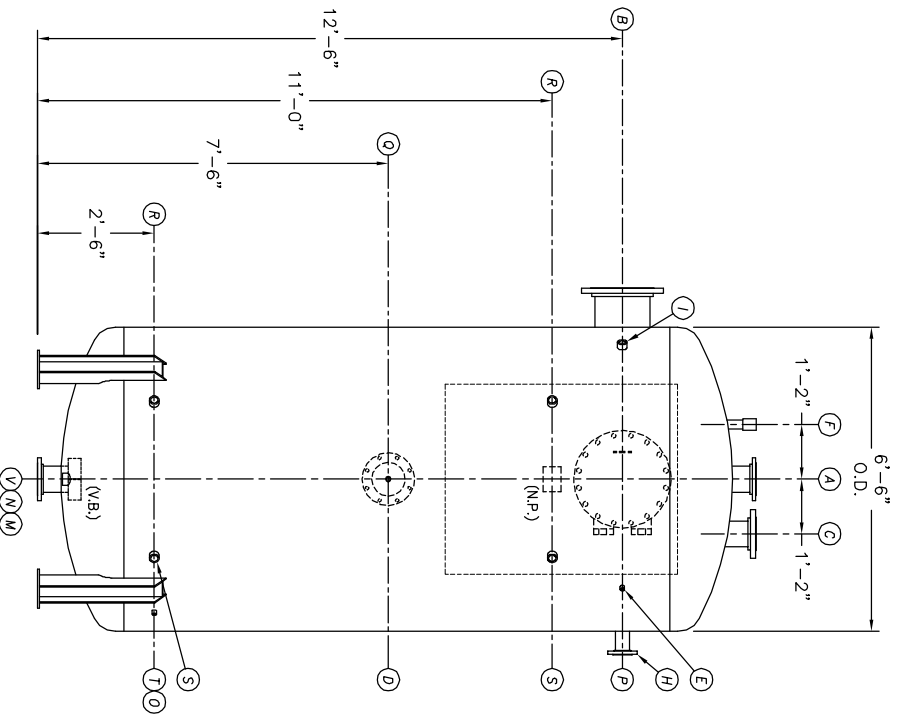
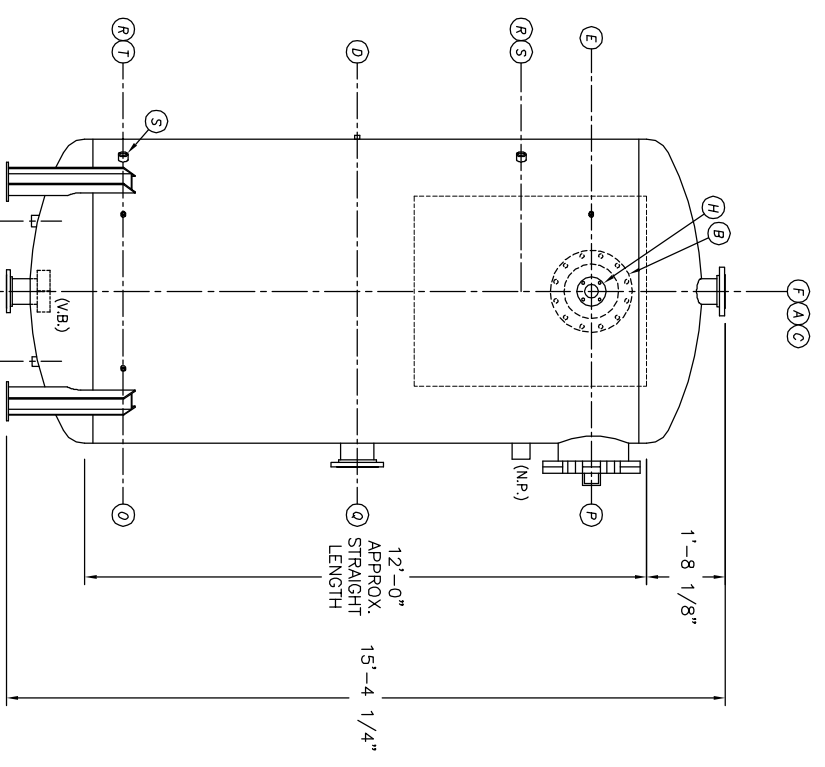


TOP VIEW



FRONT VIEW



END VIEW

- NOTES:**
- SEE CONNECTION SCHEDULE FOR NOZZLE DESCRIPTIONS.
  - STRAIGHT LENGTHS ARE APPROXIMATE. OVERALL LENGTH (OAL) IS TO BE HELD.
  - FOR MISCELLANEOUS DETAILS SEE MD DRAWINGS
  - DIMENSIONS ARE GIVEN FROM CENTER LINE OF TANKS TO NOZZLE CENTER LINE OR OUTSIDE FACE OF FLANGE.
  - G.B. = GRAB BAR      D.S. = DRIP SHIELD  
V.B. = VORTEX BREAKER      N.S. = NEAR SIDE  
N.P. = NAME PLATE      T.B. = TEE BATTLE  
F.S. = FAR SIDE       $\phi$  = CENTER LINE

**NOTE:**  
PUMP SUCTION NOZZLES  
WILL BE ADDED TO MATCH  
ANY PUMPS SUPPLIED BY KCD

UMENT AND THE INFORMATION IT  
HAVE BEEN FURNISHED FOR USE  
BY OWN ORGANIZATION ONLY AND  
NOT BE REPRODUCED OR TRANSMITTED  
IN ANY FORM OR BY ANY MEANS  
ELECTRONIC OR MECHANICAL,  
INCLUDING PHOTOCOPYING, RECORDING,  
OR BY ANY INFORMATION STORAGE  
AND RETRIEVAL SYSTEM, WITHOUT  
THE WRITTEN PERMISSION OF  
KANSAS CITY DEAERATOR CO.,  
LAND PARK, KANSAS 66209

NO.	DATE	DESCRIPTION OF CHANGE	BY
-	-	-	-
-	-	-	-
-	-	-	-

CLIENT:

**KANSAS CITY DEAERATOR CO.**  
6731 W. 121st STREET  
OVERLAND PARK, KANSAS 66209  
(913) 338-2111 FAX (913) 338-2144

JOB #	SCALE	DESIGNED	DRAWN	CHECKED	DATE	UTD
STD	NTS	MK	GENI	PC	1-13 2004	1-13 2004

TITLE: **GENERAL ARRANGEMENT**

MODEL: VTP209-6512-05

DWG. NO.: **VTP209-6512-05**