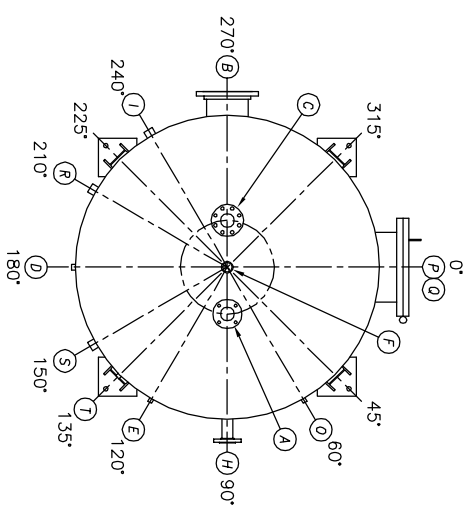
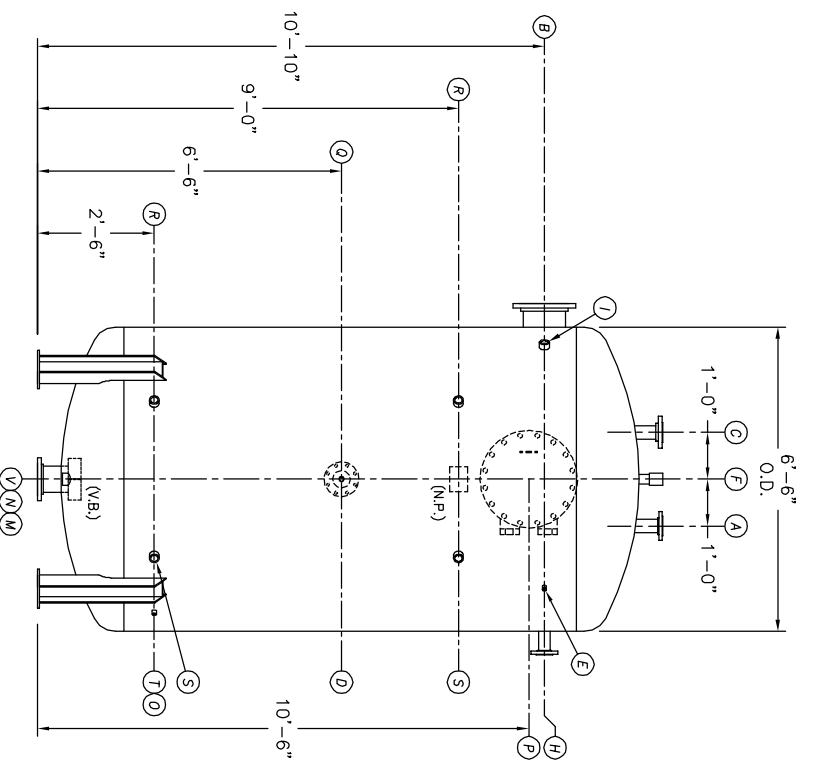


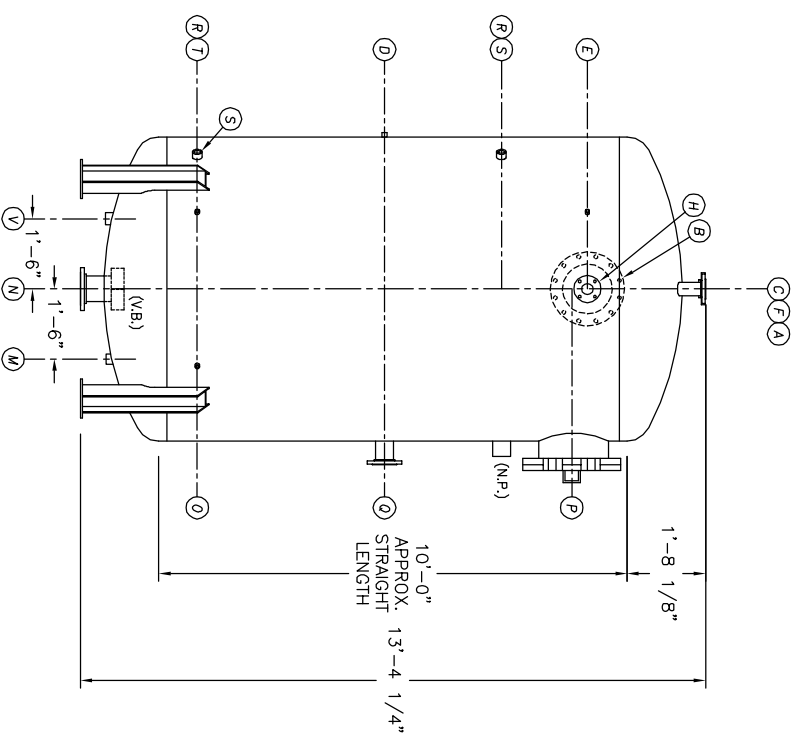
STATEMENT AND THE INFORMATION IT  
HAVE BEEN FURNISHED FOR USE  
BY YOUR OWN ORGANIZATION ONLY AND  
NOT BE CONSISTENT WITH THE  
AGREEMENT BETWEEN YOUR ORGANIZATION  
AND KANSAS CITY DEAERATOR COMPANY.  
KANSAS CITY DEAERATOR COMPANY  
WILL NOT BE RESPONSIBLE FOR ANY  
MISTAKES OR FOR DATA FROM THIS  
DRAWING. IT SHALL BE FURNISHED TO ANY  
PARTY WITHOUT THE WRITTEN  
CONSENT OF KANSAS CITY DEAERATOR CO.,  
2140 LAND PARK, KANSAS 66209



TOP VIEW



FRONT VIEW



END VIEW

- NOTES:**
1. SEE CONNECTION SCHEDULE FOR NOZZLE DESCRIPTIONS.
  2. STRAIGHT LENGTHS ARE APPROXIMATE. OVERALL LENGTH (OAL) IS TO BE HELD.
  3. FOR MISCELLANEOUS DETAILS SEE MD DRAWINGS
  4. DIMENSIONS ARE GIVEN FROM CENTER LINE OF TANKS TO NOZZLE CENTER LINE OR OUTSIDE FACE OF FLANGE.
  5. G.B. = GRAB BAR  
V.B. = VORTEX BREAKER  
N.P. = NAME PLATE  
F.S. = FAR SIDE  
D.S. = DRIP SHIELD  
N.S. = NEAR SIDE  
T.B. = TEE BARFLE  
CL = CENTER LINE

**NOTE:**  
PUMP SUCTION NOZZLES  
WILL BE ADDED TO MATCH  
ANY PUMPS SUPPLIED BY KCD

NO.	DATE	DESCRIPTION OF CHANGE
-	-	-
-	-	-
-	-	-

CLIENT:		KANSAS CITY DEAERATOR CO.	
JOB #		SCALE	DESIGNED
STD	NTS	MK	GENI
DRAWN		PC	2003
CHECKED		DATE	UTD
TITLE:		GENERAL ARRANGEMENT	
MODEL:		VSP-6510-090	
DWG. NO.:		VSP-6510-090	

KANSAS CITY DEAERATOR CO.  
6731 W. 121st STREET  
OVERLAND PARK, KANSAS 66209  
(913) 338-2111 FAX (913) 338-2144