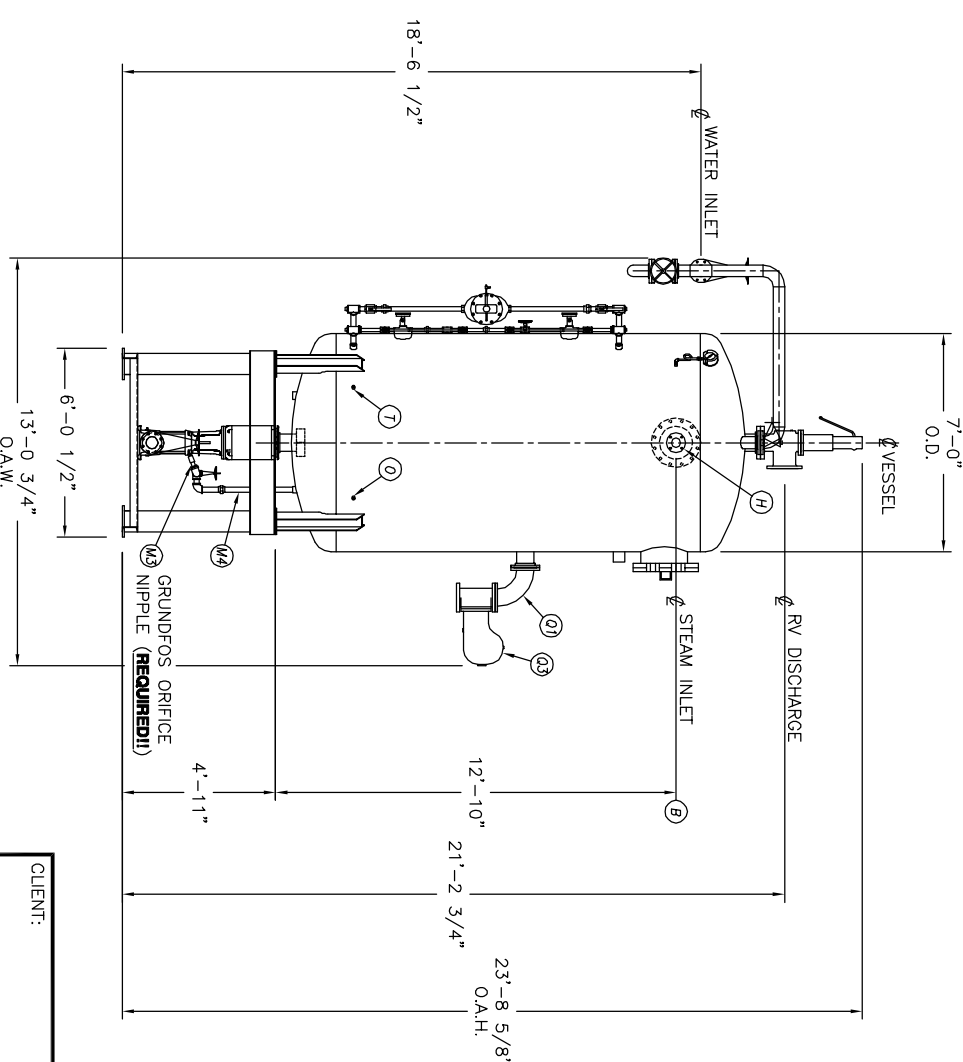
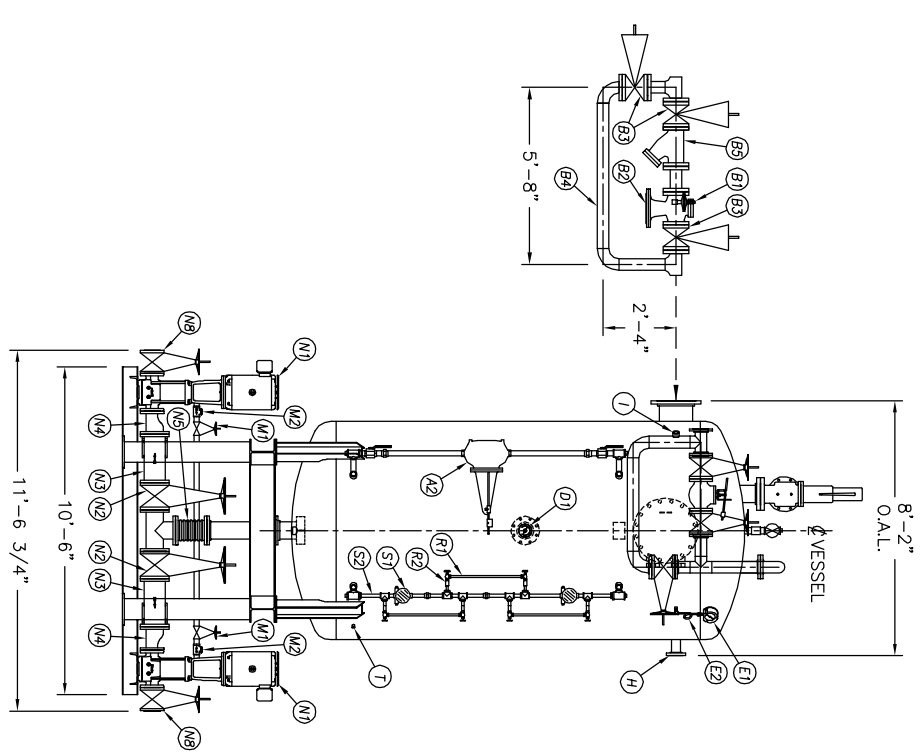
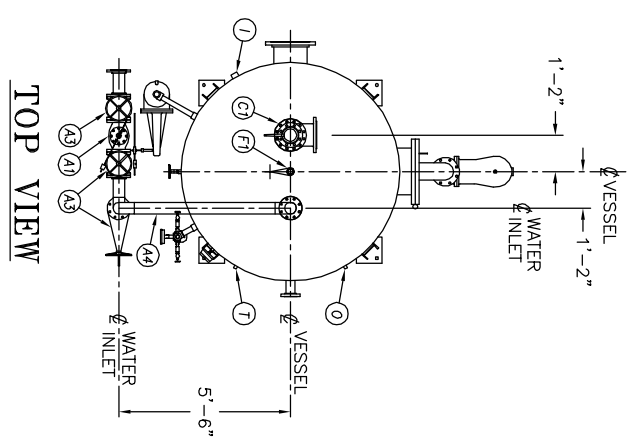


INFORMANT AND THE INFORMATION IT
HAVE BEEN FURNISHED FOR USE
BY OWN ORGANIZATION ONLY AND
NOT BE REPRODUCED OR TRANSMITTED
IN ANY MANNER OR BY ANY MEANS
ELECTRONIC OR MECHANICAL, INCLUDING
PHOTOCOPYING, RECORDING, OR BY
ANY INFORMATION STORAGE AND
RETRIEVAL SYSTEM, WITHOUT THE
WRITTEN PERMISSION OF KANSAS CITY
DEAERATOR CO., 6731 W. 121st STREET,
OVERLAND PARK, KANSAS 66209

NO.	DATE	DESCRIPTION OF CHANGE
-	-	-
-	-	-
-	-	-
BY		



A1	INLET VALVE	NONE	NONE
A2	CONTROL VALVE	NONE	NONE
A3	BYPASS VALVES	2	NIBCO
A4	MAKE UP BY-PASS PIPING	2	KOD SHOP
A5	STRAINER	NONE	NONE
B1	STEAM CTRL	NONE	NONE
B2	STEAM CONTROLLER	NONE	NONE
B3	BYPASS VALVES	NONE	NONE
B4	STEAM PRV BY-PASS PIPING	NONE	NONE
B5	1 STRAINER	3	MUELLER
C1	RELIEF VALVE	NONE	NONE
C2	RELIEF VALVE PIPING	NONE	NONE
D1	THERMOWELL	NONE	NONE
E1	PRESSURE GAUGE	NONE	NONE
E2	SIPHON & COCK	NONE	NONE
E3	PRESSURE TRANS	NONE	NONE
F1	VENT VALVE	NONE	NONE
F2	1 ORIFICE PLATES	#N/A	#N/A
F3	BYPASS VALVES	NONE	NONE
F4	VENT PIPING	NONE	NONE
G1	IMV SPARE GASKETS	NONE	NONE
H1	VACUUM BREAKER	NONE	NONE
M1	BFP RECIRC SHUTTOFF	NONE	NONE
M2	BFP RECIRC CHECK	NONE	NONE
M3	BFP ORIFICE / VALVE	NONE	NONE
M4	BFP PIPING	NONE	NONE
M5	BFP PRESSURE GAUGE	4	GRUNDOS
M6	BOILER FEED PUMPS	4	NIBCO
N1	ISOLATION VALVE	4	MUELLER
N2	2 STRAINER	4	KOD SHOP
N3	2 PIPING	4	KOD SHOP
N4	2 EXPANSION JOINT	4	KOD SHOP
N5	BFP DISC PRESSURE GAUGE	NONE	NONE
N6	BFP DISC CHECK	NONE	NONE
N7	BFP DISCH ISOLATION	NONE	NONE
N8	BFP DISCH ISOLATION	NONE	NONE
O	CHEMICAL FEED QUILL	NONE	NONE
P	IMV SPARE GASKETS	NONE	NONE
Q1	OVERFLOW VALVE	NONE	NONE
Q2	CONTROL VALVE	NONE	NONE
Q3	OVERFLOW PIPING	NONE	NONE
R1	LEVEL SWITCHES	NONE	NONE
R2	1 LEVEL SWITCH BRIDLE PIPING	1 1/2	NIBCO
S1	1 GAUGE GLASS	NONE	NONE
S2	1 GAUGE GLASS BRIDLE PIPING	1 1/2	NIBCO
T1			T-111
2	CONTROL PANEL	NONE	NONE
	STARTERS	NONE	NONE
1	PUMP STAND	14.2	

NOTES:
1. CUSTOMER TO FIELD ALIGN PUMPS AND MOTORS, THEN SEND KOD CERTIFICATION PAPERS.
2. GROUT STAND AS NECESSARY.

CLIENT: _____

KANSAS CITY DEAERATOR CO.
6731 W. 121st STREET
OVERLAND PARK, KANSAS 66209
(913) 338-2111 FAX (913) 338-2144

JOB #	SCALE	DESIGNED	DRAWN	CHECKED	DATE	UTD
STD	NTS	MK	GENI	PC	10-21 2003	10-21 2003

TITLE: **GENERAL ARRANGEMENT**

MODEL: VSP-7012-130

DWG. NO.: **VSP7012-130-CR64-3**