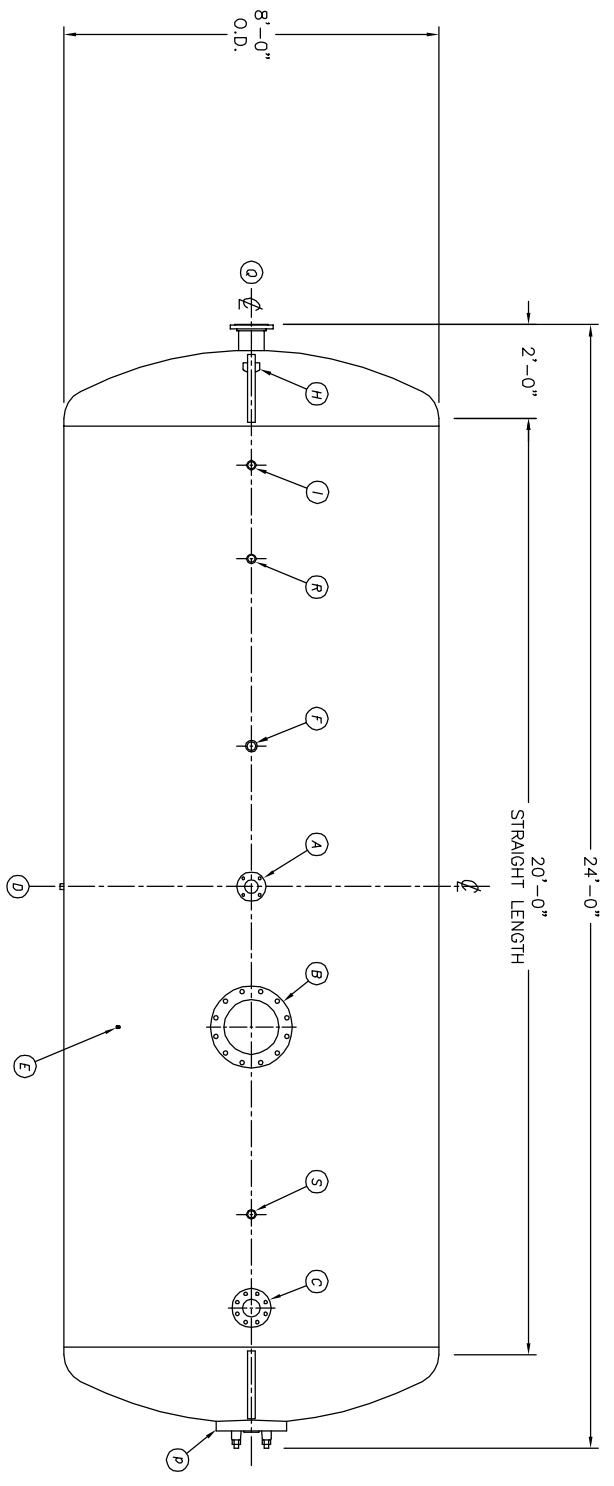
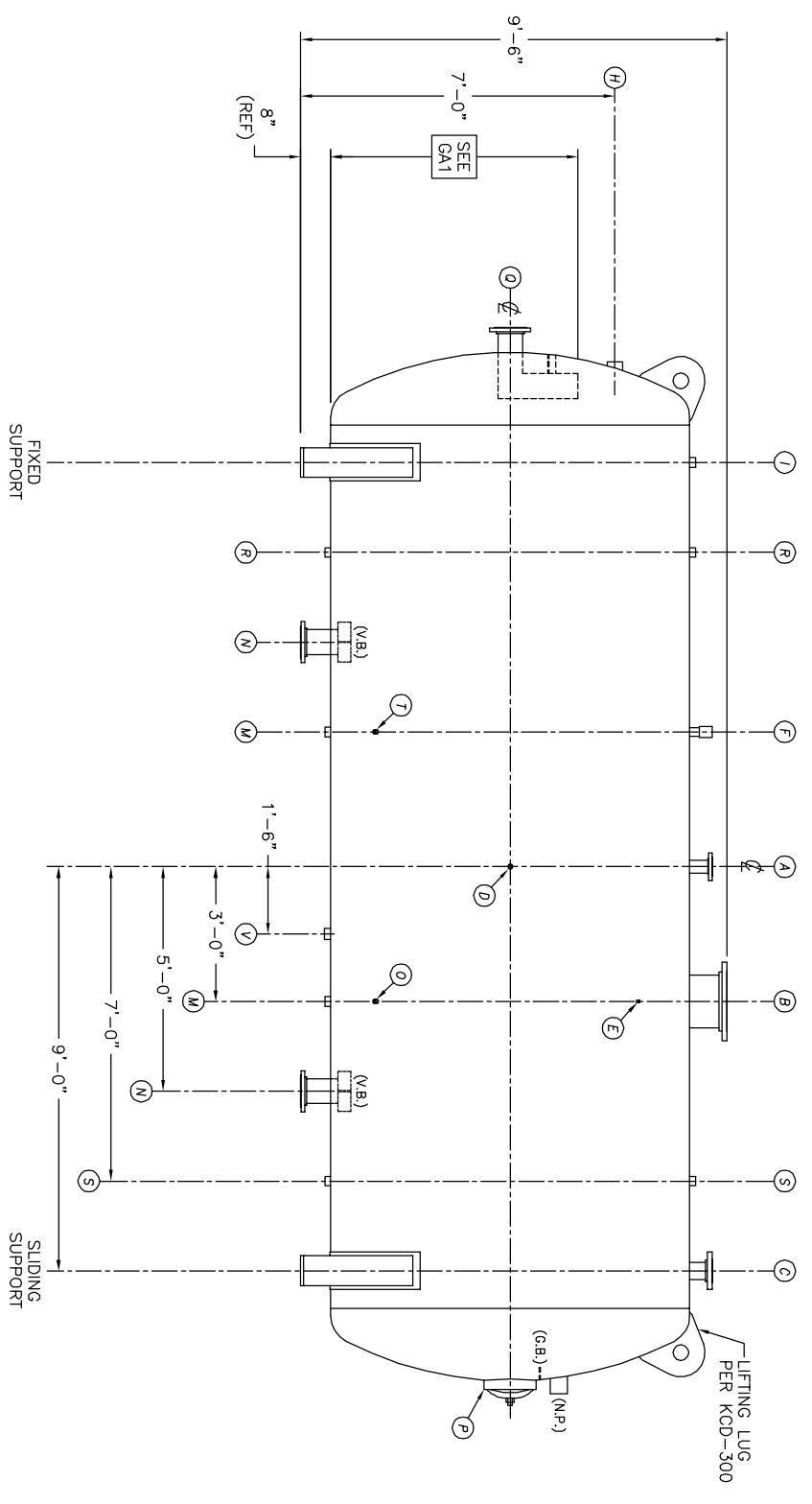


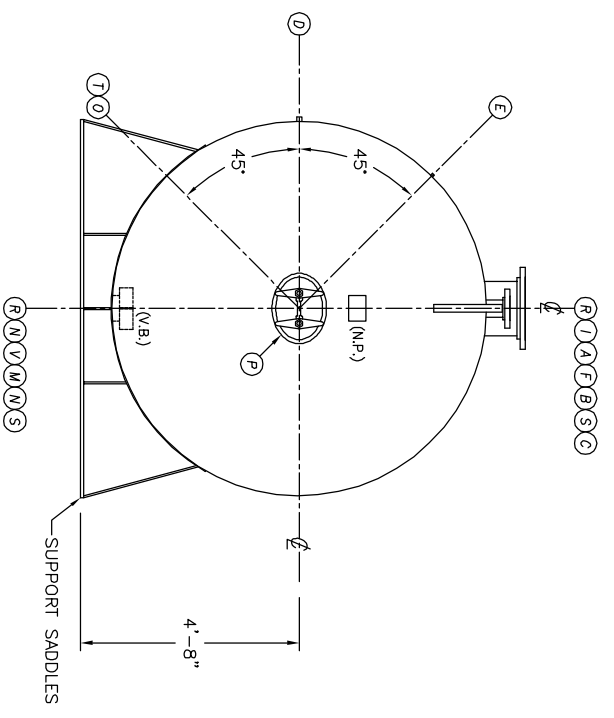
ALL INFORMATION FURNISHED HEREON IS THE PROPERTY OF KANSAS CITY DEAERATOR CO. AND IS TO BE USED FOR THE PURPOSES SPECIFIED ONLY. IT SHALL BE FURNISHED TO ANY PARTY WITHOUT THE WRITTEN CONSENT OF KANSAS CITY DEAERATOR CO., LAND PARK, KANSAS 66209



TOP VIEW



FRONT VIEW




END VIEW

- NOTES:**
- SEE CONNECTION SCHEDULE FOR NOZZLE DESCRIPTIONS.
 - STRAIGHT LENGTHS ARE APPROXIMATE. OVERALL LENGTH (OAL) IS TO BE HELD.
 - FOR MISCELLANEOUS DETAILS SEE MD DRAWINGS
 - DIMENSIONS ARE GIVEN FROM CENTER LINE OF TANKS TO NOZZLE CENTER LINE OR OUTSIDE FACE OF FLANGE.
 - G.B. = GRAB BAR D.S. = DRIP SHIELD
V.B. = VORTEX BREAKER N.S. = NEAR SIDE
N.P. = NAME PLATE T.B. = TEE BATTLE
F.S. = FAR SIDE ☐ = CENTER LINE

NOTE:
PUMP SUCTION NOZZLES
WILL BE ADDED TO MATCH
ANY PUMPS SUPPLIED BY KCD

| NO. | DATE | DESCRIPTION OF CHANGE |
|-----|------|-----------------------|
| - | - | - |
| - | - | - |
| - | - | - |

CLIENT:



KANSAS CITY DEAERATOR CO.
6731 W. 121st STREET
OVERLAND PARK, KANSAS 66209
(913) 338-2111 FAX (913) 338-2144

| JOB # | SCALE | DESIGNED | DRAWN | CHECKED | DATE | UTD |
|-------|-------|----------|-------|---------|-----------|-----------|
| STD | NTS | MK | GENI | PC | 6-10 2003 | 6-10 2003 |

TITLE: **GENERAL ARRANGEMENT**

MODEL: HS8020

DWG. NO.: **HS8020**