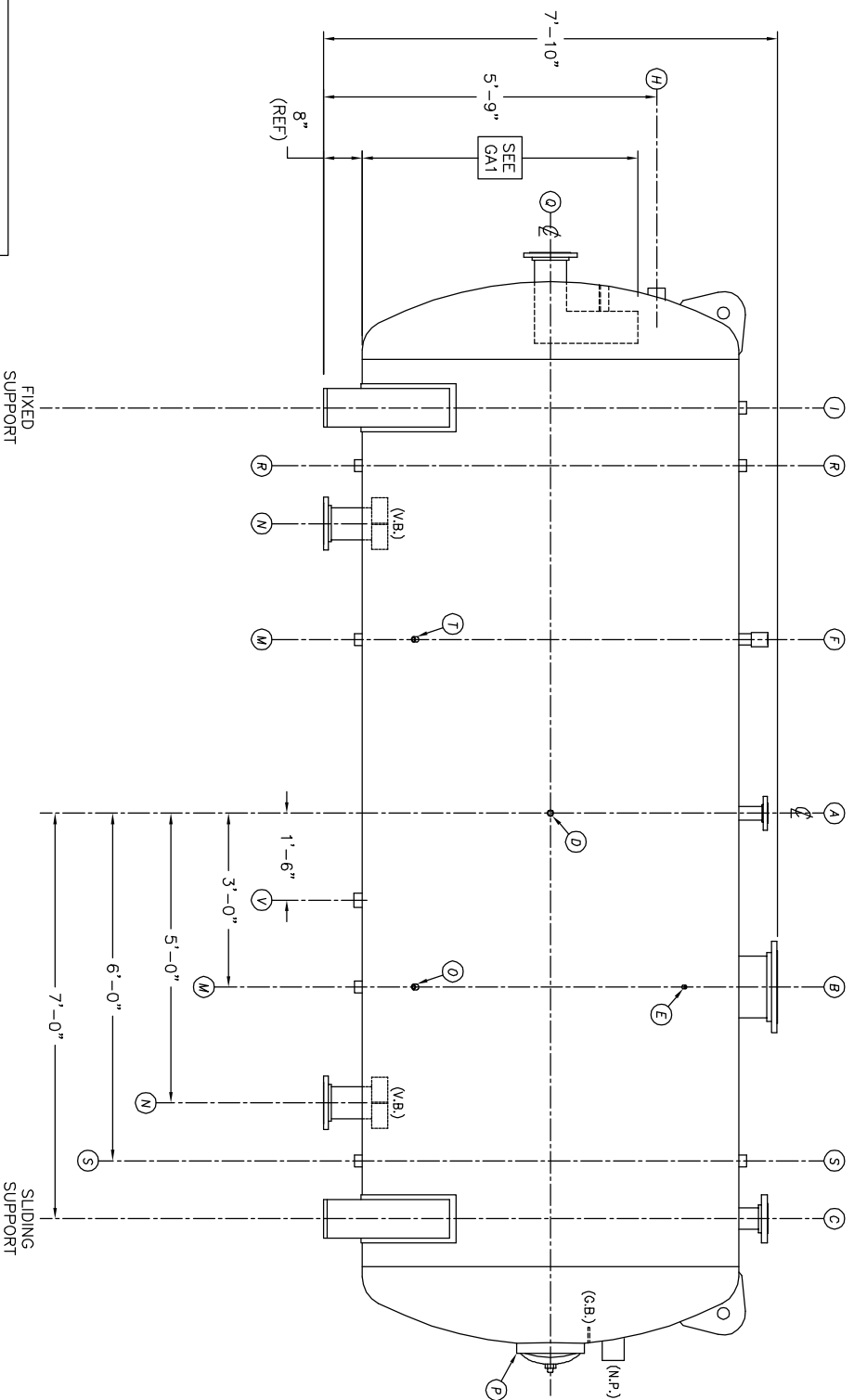
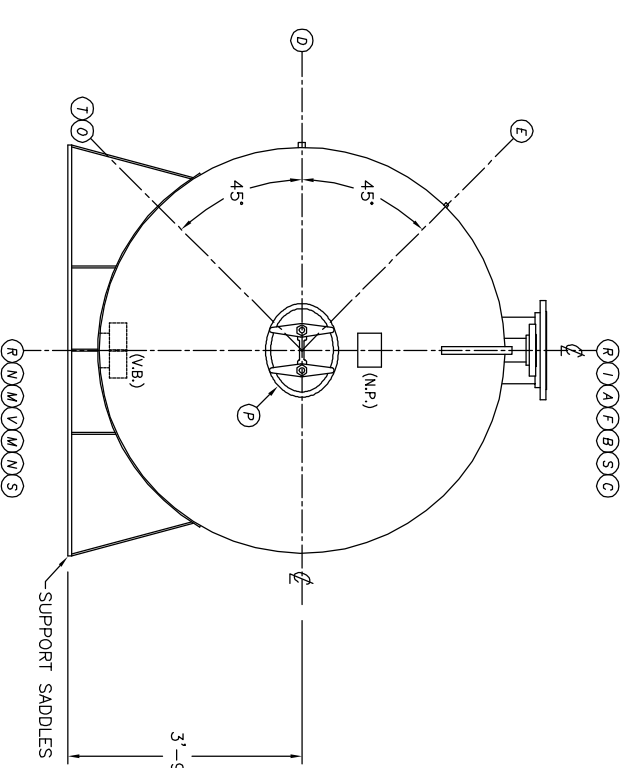


TOP VIEW



FRONT VIEW



END VIEW

- NOTES:**
- SEE CONNECTION SCHEDULE FOR NOZZLE DESCRIPTIONS.
  - STRAIGHT LENGTHS ARE APPROXIMATE. OVERALL LENGTH (OAL) IS TO BE HELD.
  - FOR MISCELLANEOUS DETAILS SEE MD DRAWINGS
  - DIMENSIONS ARE GIVEN FROM CENTER LINE OF TANKS TO NOZZLE CENTER LINE OR OUTSIDE FACE OF FLANGE.
  - G.B. = GRAB BAR D.S. = DRIP SHIELD  
V.B. = VORTEX BREAKER N.S. = NEAR SIDE  
N.P. = NAME PLATE T.B. = TEE BATTLE  
F.S. = FAR SIDE C.L. = CENTER LINE

**NOTE:**  
PUMP SUCTION NOZZLES  
WILL BE ADDED TO MATCH  
ANY PUMPS SUPPLIED BY KCD

UMENT AND THE INFORMATION IT  
HAVE BEEN FURNISHED FOR USE  
BY OWN ORGANIZATION ONLY AND  
FOR PURPOSE CONSISTENT WITH THE  
AGREEMENT BETWEEN YOUR ORGANIZATION  
AND KANSAS CITY DEARATOR COMPANY.  
NO PART SHALL BE REPRODUCED OR  
TRANSMITTED IN ANY FORM OR BY  
ANY MEANS WITHOUT THE WRITTEN  
CONSENT OF KANSAS CITY DEARATOR CO.,  
OVERLAND PARK, KANSAS 66209

NO.	DATE	DESCRIPTION OF CHANGE
-	-	-
-	-	-
-	-	-

CLIENT:

**KANSAS CITY DEARATOR CO.**  
6731 W. 121st STREET  
OVERLAND PARK, KANSAS 66209  
(913) 338-2111 FAX (913) 338-2144

JOB #	SCALE	DESIGNED	DRAWN	CHECKED	DATE	UTD
STD	NTS	MK	GENI	PC	6-10 2003	6-10 2003

TITLE: **GENERAL ARRANGEMENT**

MODEL: HS6416

DWG. NO.: **HS6516**