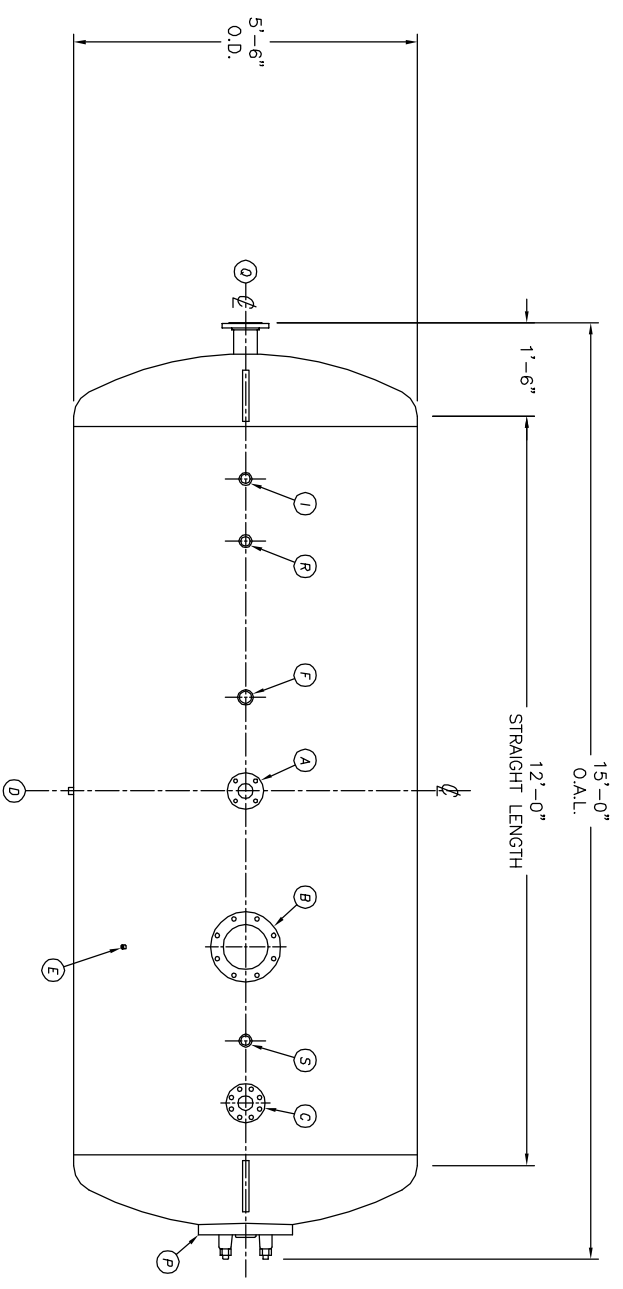
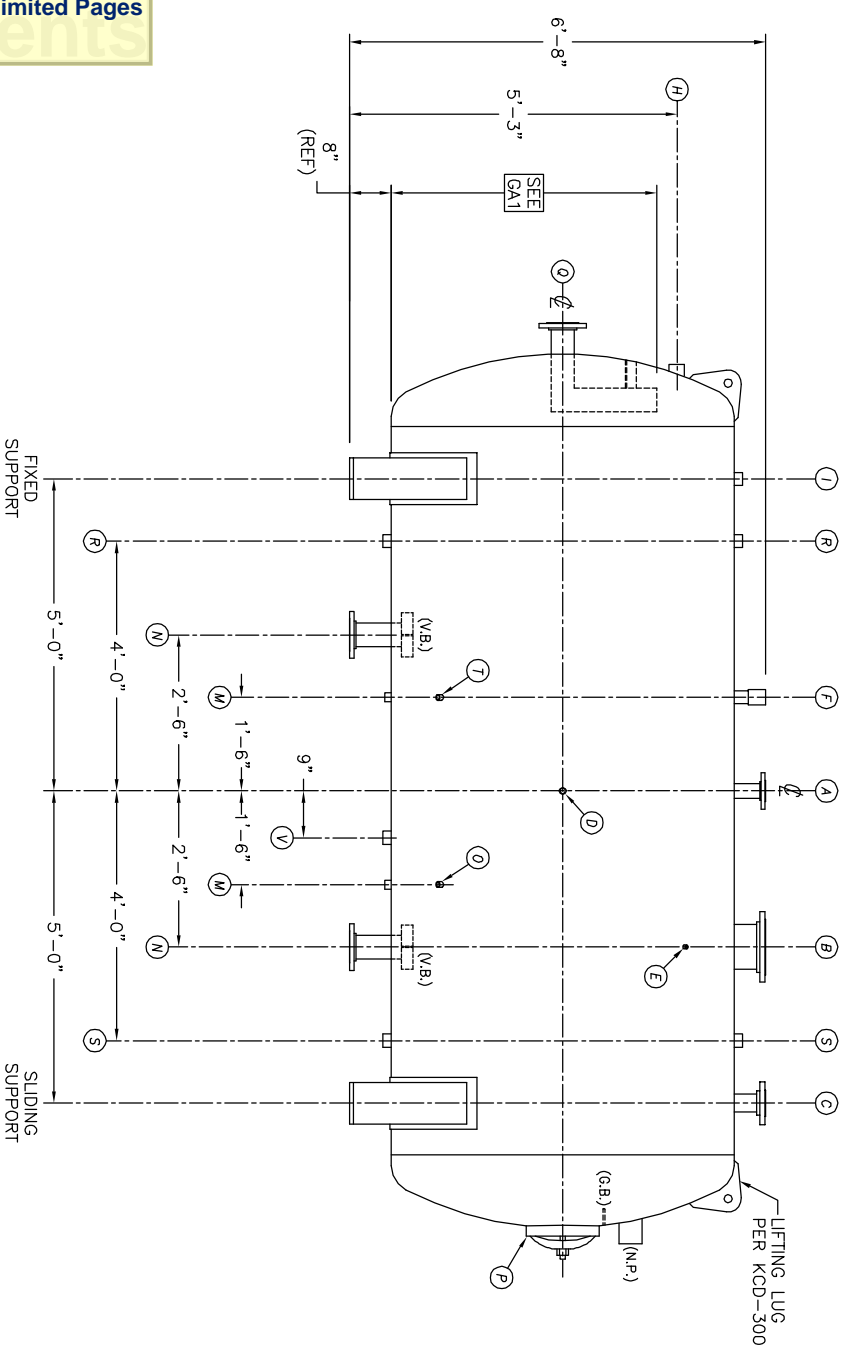


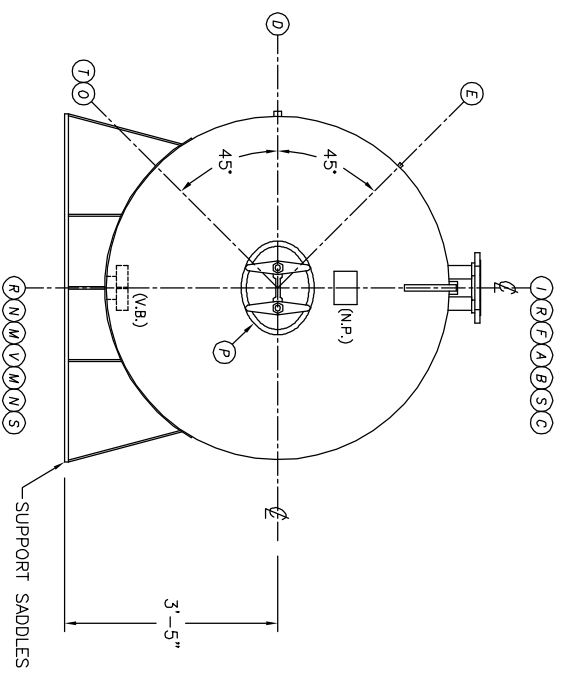
UMENT AND THE INFORMATION IT
HAVE BEEN FURNISHED FOR USE
BY OWN ORGANIZATION ONLY AND
FOR NO OTHER PURPOSE. THE
INFORMATION IS NOT TO BE
REPRODUCED OR TRANSMITTED
IN ANY FORM OR BY ANY
MEANS, ELECTRONIC OR
MECHANICAL, INCLUDING
PHOTOCOPYING, RECORDING,
OR BY ANY INFORMATION
SYSTEMS WITHOUT THE WRITTEN
CONSENT OF KANSAS CITY
DEARATOR CO.,
1211 OVERLAND PARK, KANSAS 66209



TOP VIEW



FRONT VIEW



END VIEW

- NOTES:**
1. SEE CONNECTION SCHEDULE FOR NOZZLE DESCRIPTIONS.
 2. STRAIGHT LENGTHS ARE APPROXIMATE. OVERALL LENGTH (OAL) IS TO BE HELD.
 3. FOR MISCELLANEOUS DETAILS SEE MD DRAWINGS
 4. DIMENSIONS ARE GIVEN FROM CENTER LINE OF TANKS TO NOZZLE CENTER LINE OR OUTSIDE FACE OF FLANGE.
 5. G.B. = GRAB BAR
V.B. = VORTEX BREAKER
N.P. = NAME PLATE
F.S. = FAR SIDE
- D.S. = DRIP SHIELD
N.S. = NEAR SIDE
T.B. = TEE BATTLE
CL = CENTER LINE

NOTE:
PUMP SUCTION NOZZLES
WILL BE ADDED TO MATCH
ANY PUMPS SUPPLIED BY KCD

NO.	DATE	DESCRIPTION OF CHANGE
-	-	-
-	-	-
-	-	-

CLIENT:

KANSAS CITY DEARATOR CO.
6731 W. 121st STREET
OVERLAND PARK, KANSAS 66209
(913) 338-2111 FAX (913) 338-2144

JOB #	SCALE	DESIGNED	DRAWN	CHECKED	DATE	UTD
STD	NTS	MK	GENI	PC	2003	2003

TITLE: **GENERAL ARRANGEMENT**

MODEL: HSS512

DWG. NO.: **HSS512**