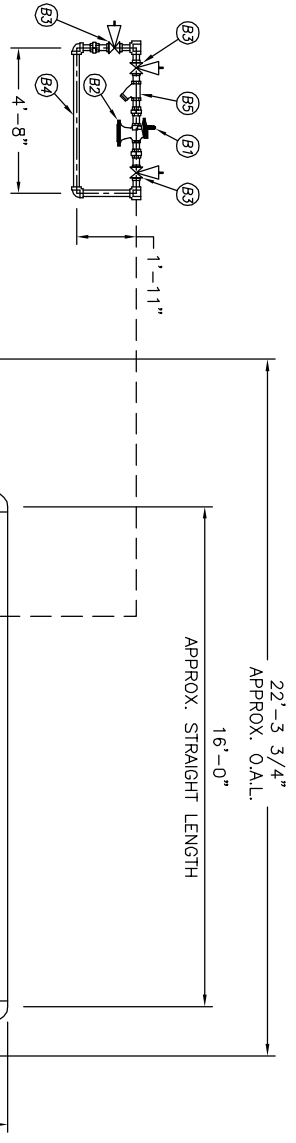
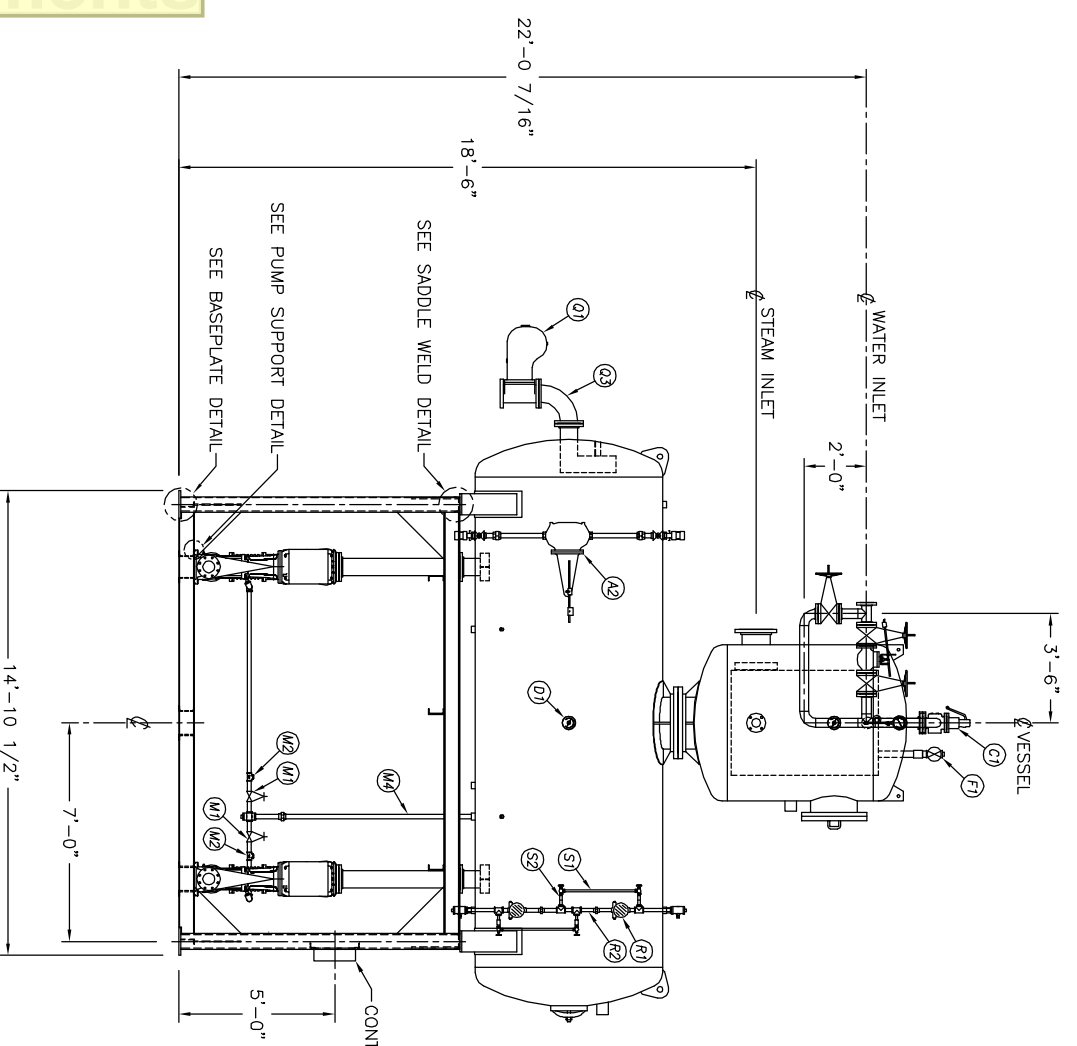


UMENT AND THE INFORMATION IT
HAVE BEEN FURNISHED FOR USE
BY YOUR OWN ORGANIZATION ONLY AND
NOT BE LOANED, REPRODUCED, COPIED,
OR OTHERWISE DISSEMINATED WITHOUT
THE WRITTEN CONSENT OF THE
ORGANIZATION FROM WHICH THE
INFORMATION WAS OBTAINED. THE
DESIGNER ASSUMES NO LIABILITY FOR
ANY DAMAGE OR LOSS OF PROFITS
SUFFERED BY ANY PARTY WITHOUT THE WRITTEN
CONSENT OF KANSAS CITY DEAERATOR CO.,
1211 OVERLAND PARK, KANSAS 66209

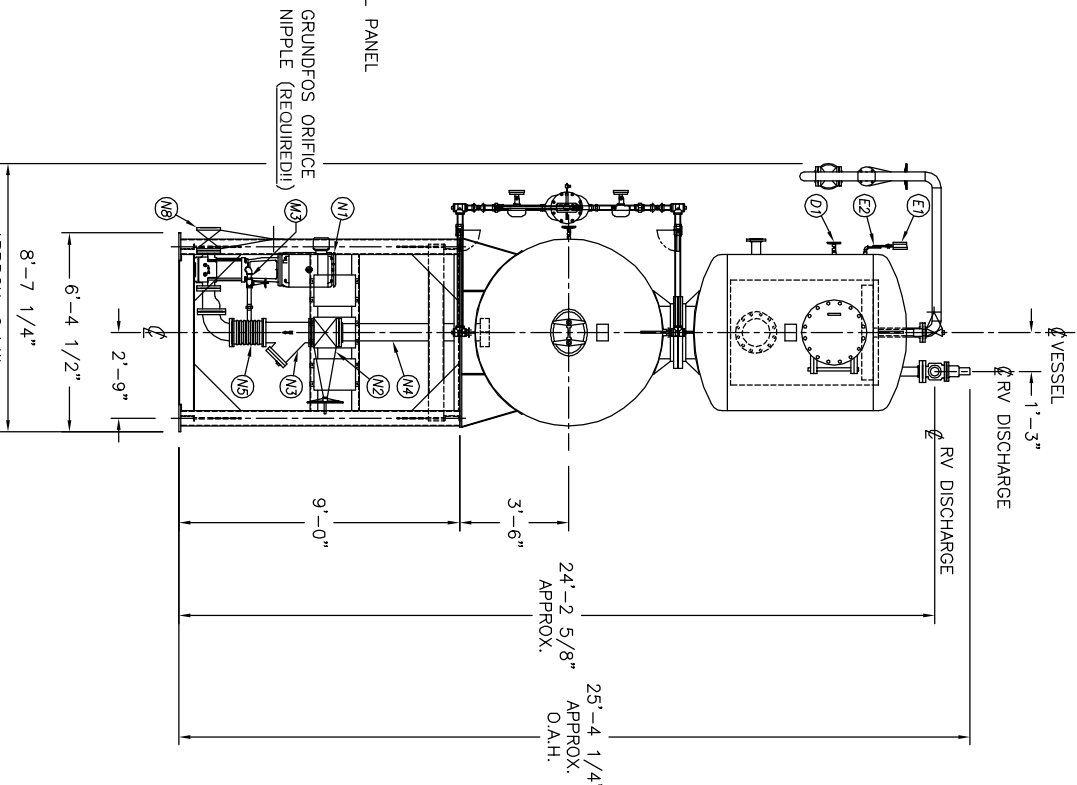
NO.	DATE	DESCRIPTION OF CHANGE	BY



TOP VIEW

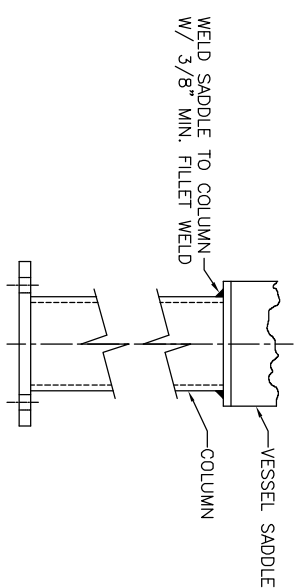


FRONT VIEW

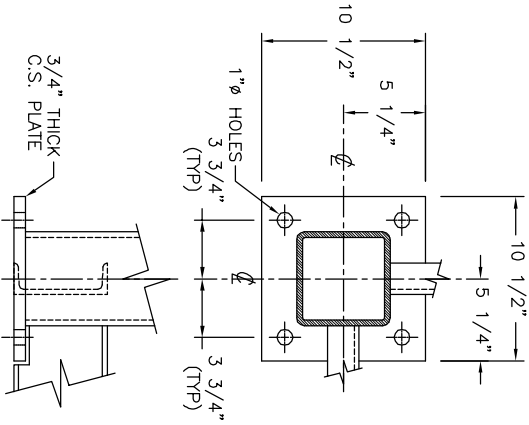


END VIEW

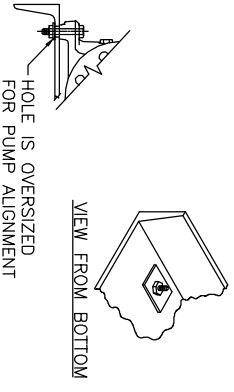
SADDLE WELD DETAIL
(TYP 4 PLACES)



BASEPLATE DETAIL
(TYP 4 PLACES)



PUMP SUPPORT DETAIL



NOTE:

CUSTOMER TO FIELD ALIGN PUMPS AND MOTORS, THEN SEND KCD CERTIFICATION PAPERS.

A1	INLET VALVE			NONE	
A2	CONTROL VALVE			NONE	
A3	BYPASS VALVES	2		NIBCO	T-111
A4	MAKE UP BY-PASS PIPING	2		KOD SHOP	
A5	STRAINER			NONE	
B1	STEAM PRV			NONE	
B2	STEAM CONTROLLER			NONE	
B3	BYPASS VALVES			NONE	
B4	STEAM PRV BY-PASS PIPING			NONE	
B5	1 STRAINER	3		MUELLER	752
C1	RELIEF VALVE			NONE	
C2	RELIEF VALVE PIPING			NONE	
D1	THERMOWELL			NONE	
E1	PRESSURE GAUGE			NONE	
E2	SIPHON & COCK			NONE	
E3	PRESSURE TRANS			NONE	
F1	VENT VALVE			NONE	
F2	1 ORIFICE PLATES	#/VA		#/VA	
F3	BYPASS VALVES			NONE	
F4	VENT PIPING			NONE	
G1	1 MW SPARE GASKETS			NONE	
H1	VACUUM BREAKER			NONE	
M1	BFP RECIRC SHUTTOFF				
M2	BFP RECIRC CHECK				
M3	BFP ORIFICE / VALVE				
M4	BFP PIPING			NONE	
M5	BFP PRESSURE GAUGE	4		GRUNDFOS	CR60-50U
M1	2 BOILER FEED PUMPS	4		NIBCO	F817.0
N3	2 ISOLATION VALVE	4		MUELLER	758
N4	2 STRAINER	4		KOD SHOP	
N5	2 PIPING	4			
N6	2 EXPANSION JOINT				
N7	BFP DISC PRESSURE GAUGE				
N7	BFP DISCH CHECK				
N8	BFP DISCH ISOLATION				
O	CHEMICAL FEED QUILL			NONE	
P	1 MW SPARE GASKETS				
Q1	OVERFLOW VALVE			NONE	
Q2	CONTROL VALVE			NONE	
Q3	OVERFLOW PIPING			NONE	
R1	LEVEL SWITCHES			NONE	
R2	1 LEVEL SWITCH BRIDLE PIPING	1 1/2		NIBCO	T-111
S1	1 GAUGE GLASS			NONE	
S2	1 GAUGE GLASS BRIDLE PIPING	1 1/2		NIBCO	T-111
T1					
2	CONTROL PANEL				
	STARTERS			NONE	
1	PUMP STAND		14.2		

CLIENT: KANSAS CITY DEAERATOR CO.
6731 W. 121st STREET
OVERLAND PARK, KANSAS 66209
(913) 338-2111 FAX (913) 338-2144

JOB # SCALE DESIGNED DRAWN CHECKED DATE UTD
STD NTS MK GENI PC 6-16 6-16
2004 2004

TITLE: GENERAL ARRANGEMENT PACKAGE - BDSPP6016
MODEL: BDSPP149

DWG. NO.: BDSPP149-6016-cr64-3